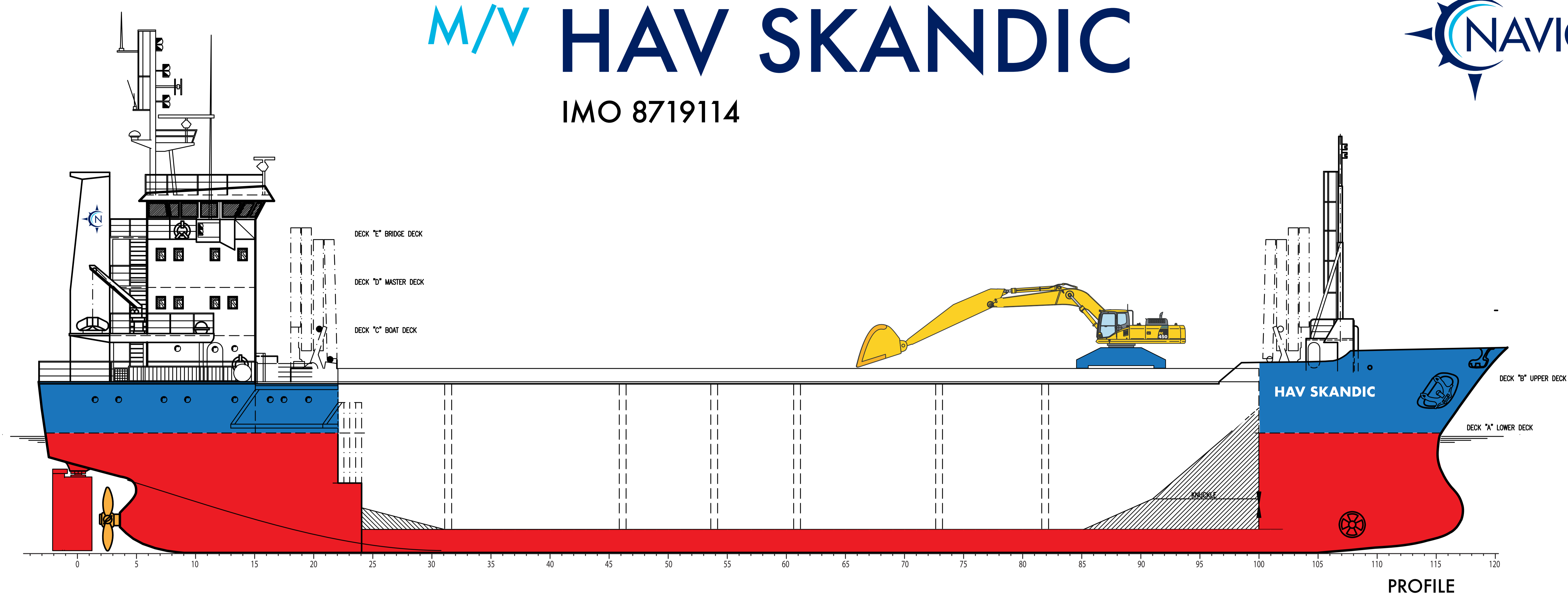
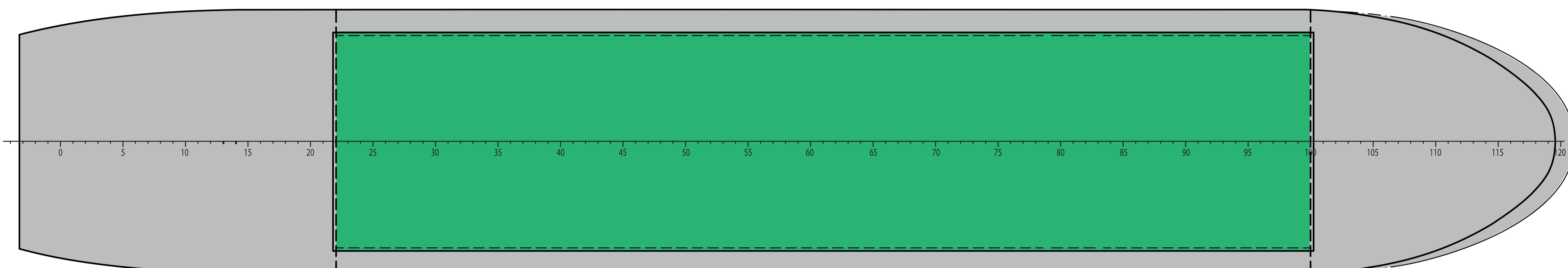


M/V HAV SKANDIC

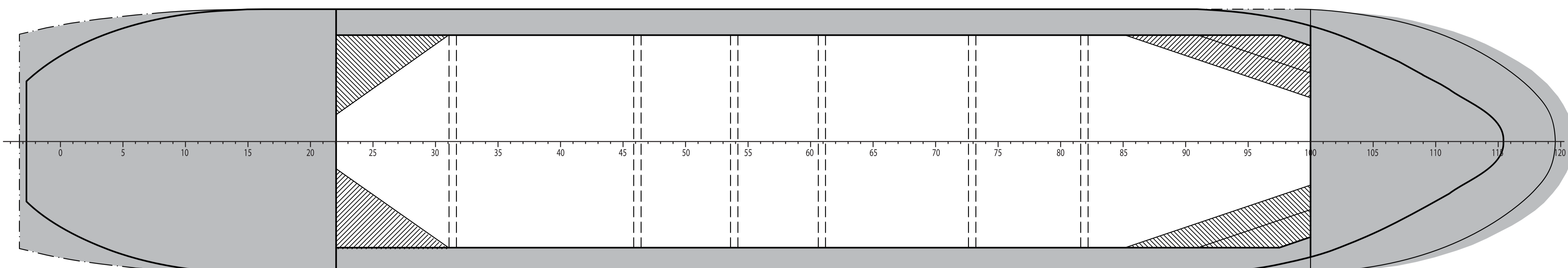
IMO 8719114



PROFILE

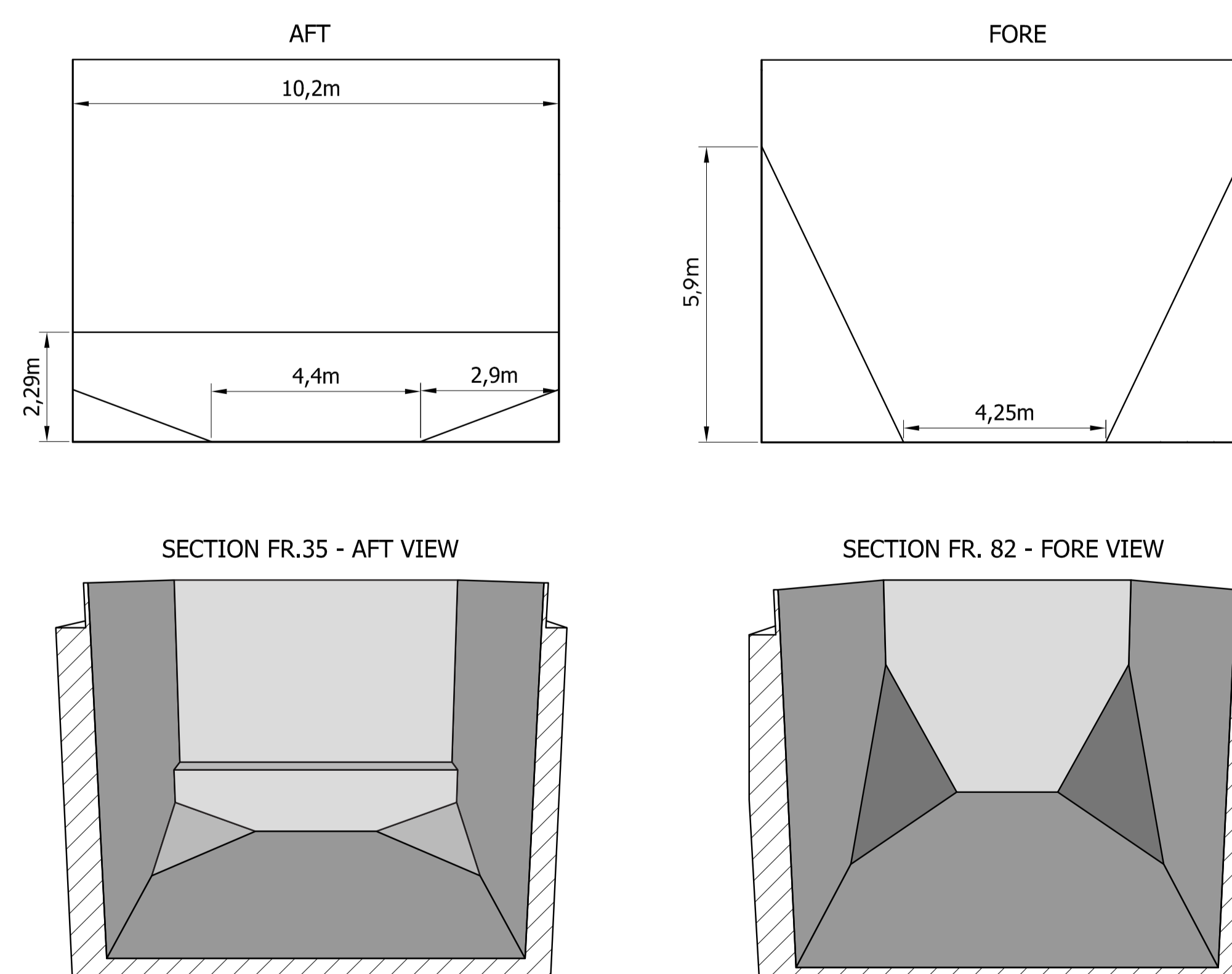
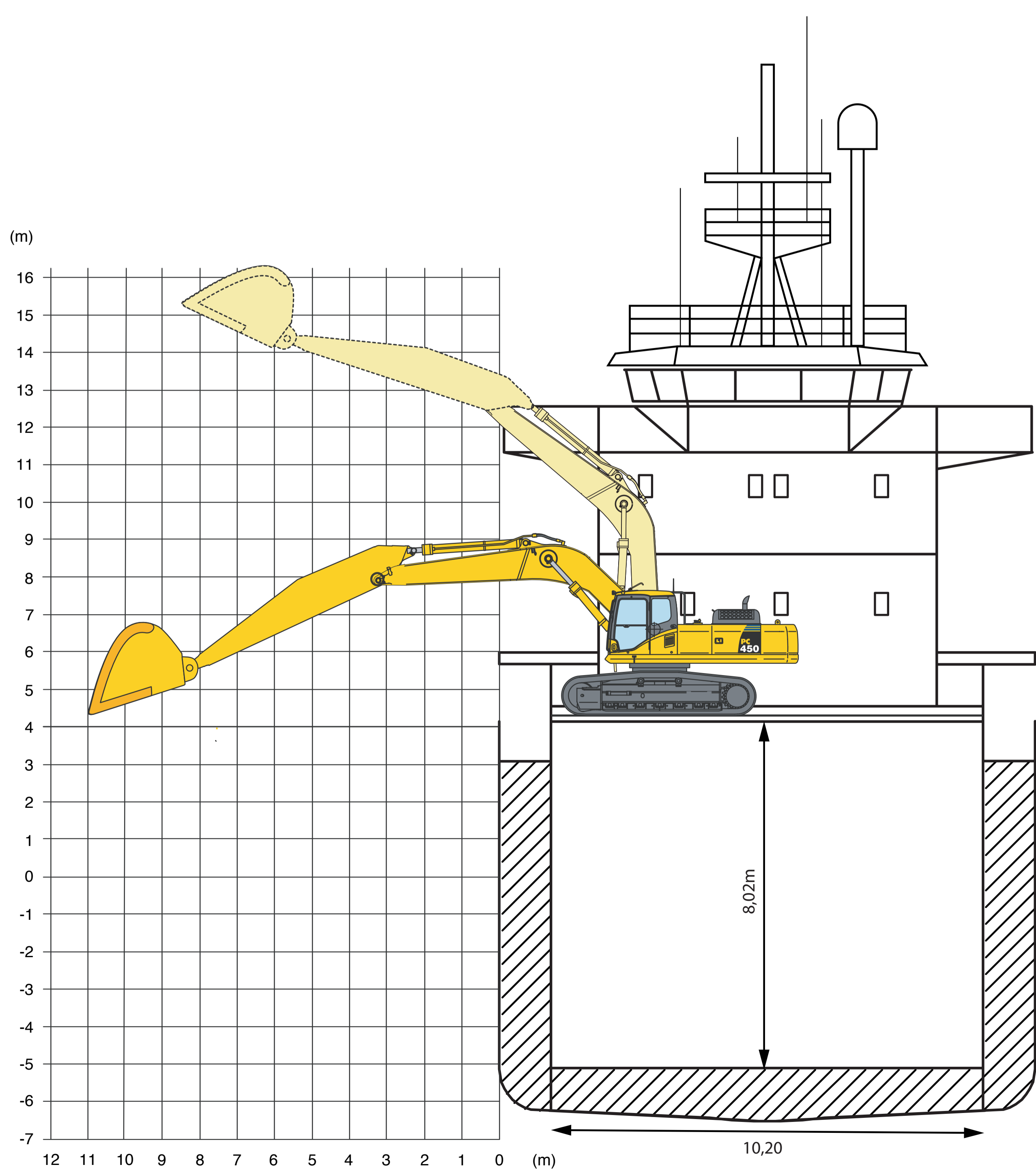
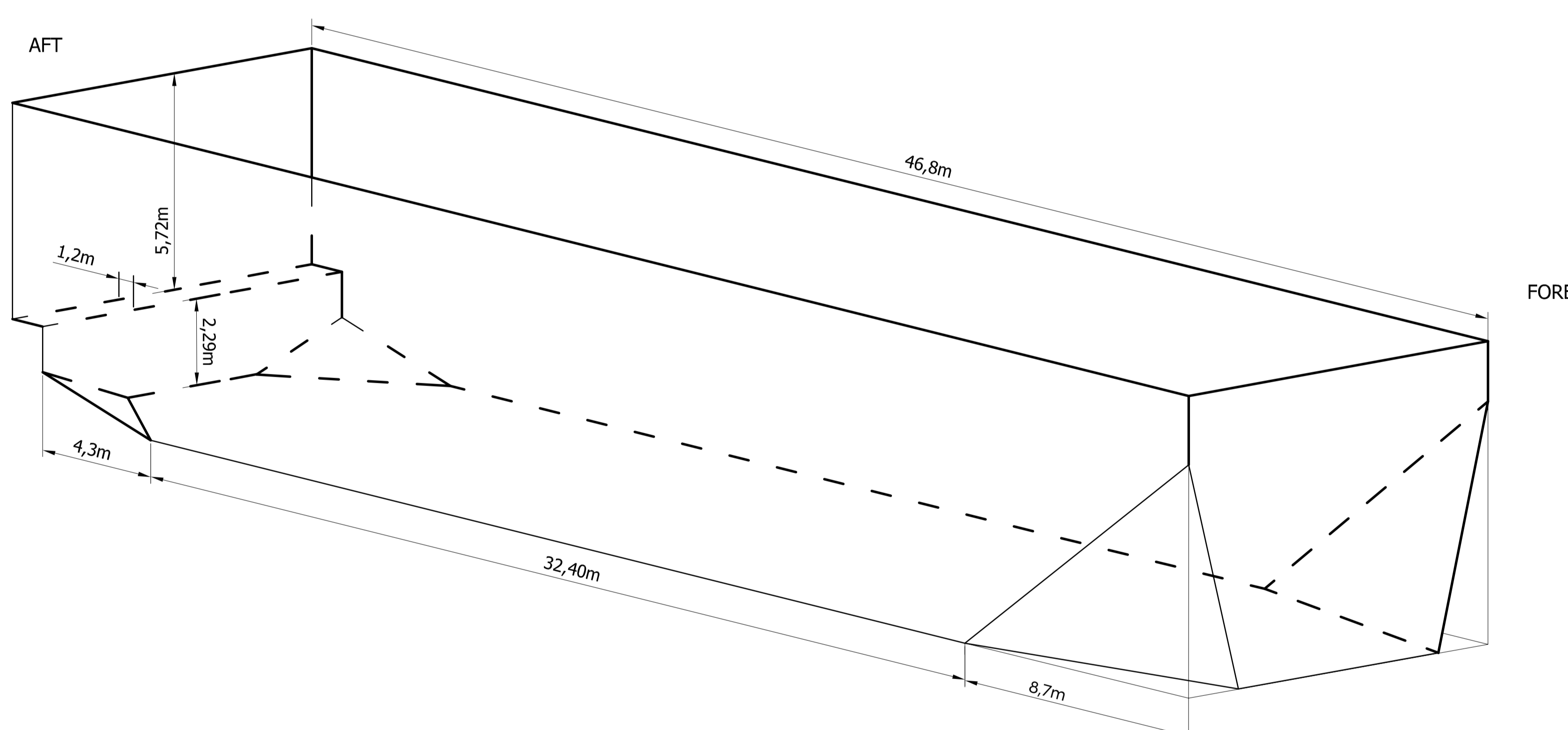


DECK "B" UPPER DECK



DECK "A" LOWER DECK

Particulars	
Length O.A	74,65 m
Breadth	12,70 m
BT	2026
NT	911
Hold	3736
Hold	131.917 cbf
Summer draft	6,10 m
Winter draft	5,97
Steel Tank Top	12 t/m ²
Ballast draft min	3,40 m
Ballast draft max	4,20 m
Air draft loaded	26,00 m
Air draft Ballast	28,00 m
Ballast min waterline to hatch coaming	6,32 m
Loaded waterline to hatch coaming	3,47 m



Draft at 80 ton oil and 30 ton water		
DRAFT	DWTC	t/cm
3,40	757	7,42
3,60	906	7,50
3,80	1057	7,58
4,00	1210	7,66
4,20	1364	7,74
4,40	1519	7,82
4,60	1676	7,89
4,80	1835	7,97
5,00	1995	8,04
5,20	2157	8,12
5,40	2320	8,18
5,60	2484	8,24
5,80	2649	8,29
6,00	2815	8,33
6,10	2899	8,36

Bulkheads thickness 30 cm
Capacity of the holds
Depend on the bulkheads position

1,2m	4,26m	9m	4,8m	4,2m	7,20m	5,35m	10,8m	
70	338	733	391	342	586	435	841	m ³
2472	11936	25882	13806	12076	20691	15359	29695	ff