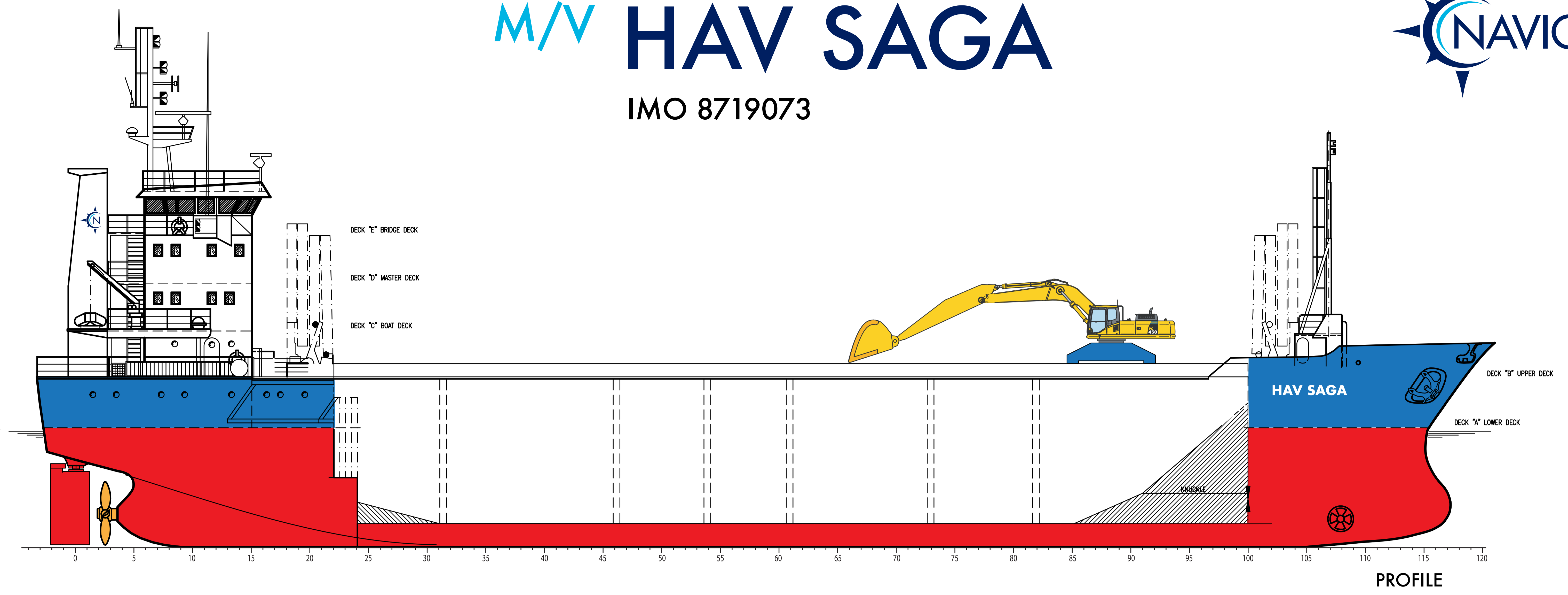
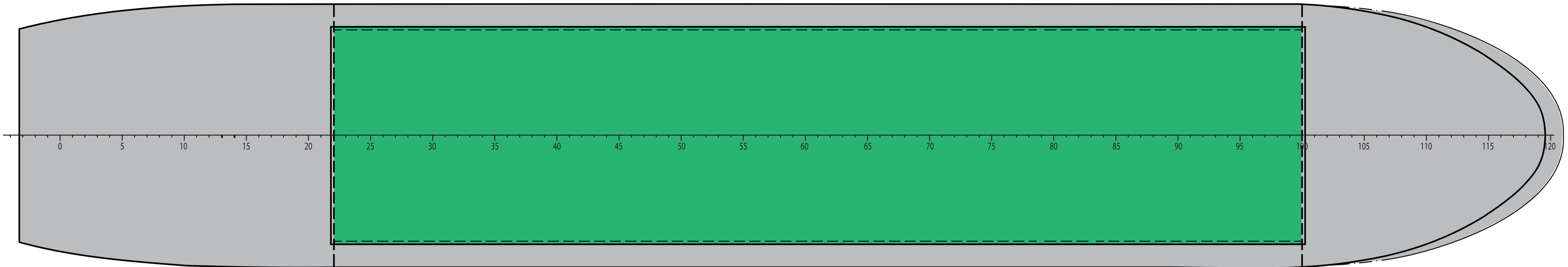


M/V HAV SAGA

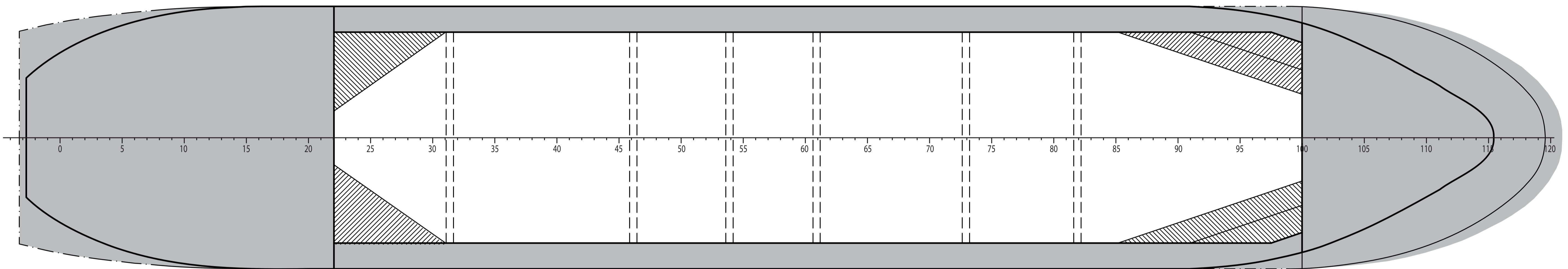
IMO 8719073



PROFILE

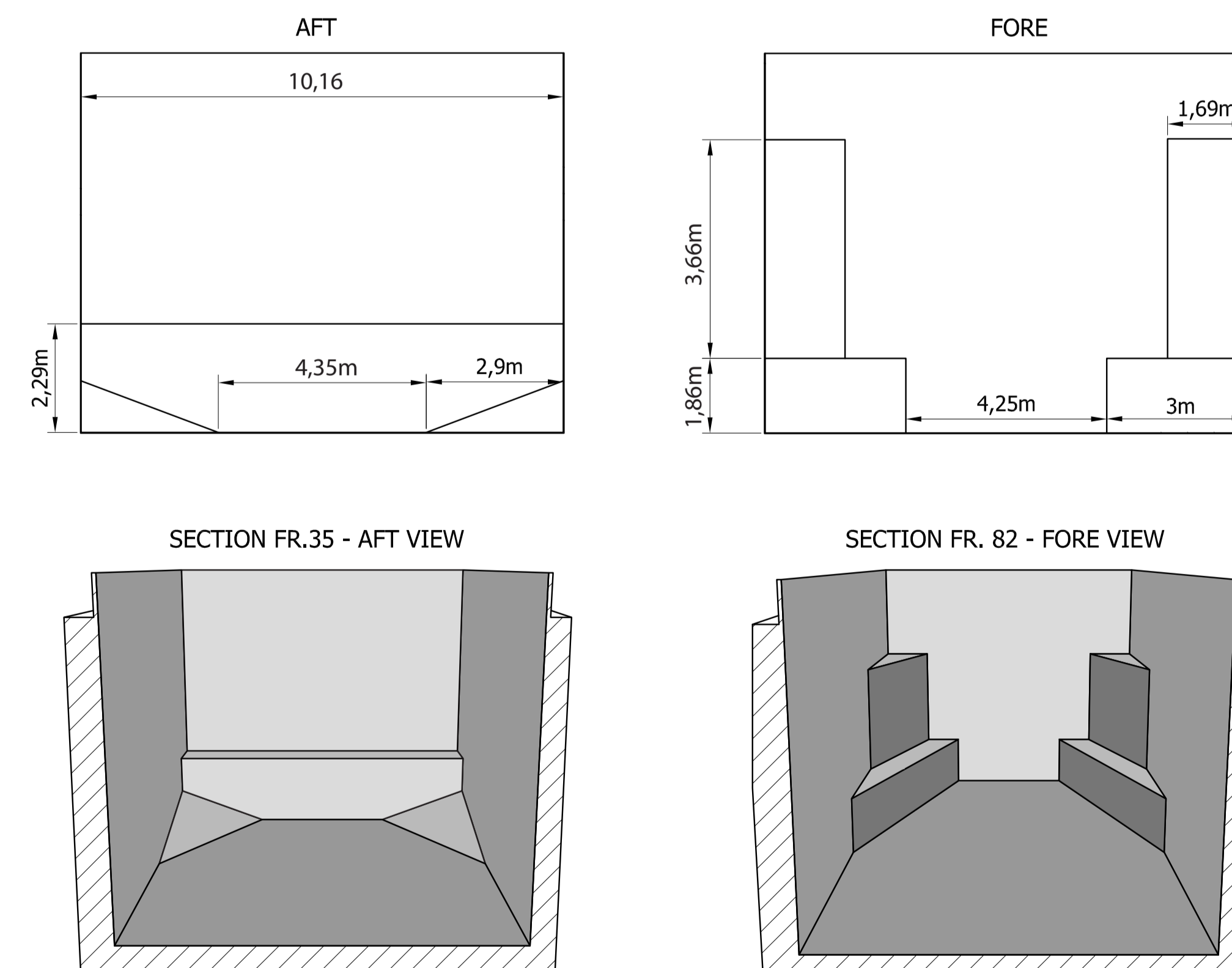
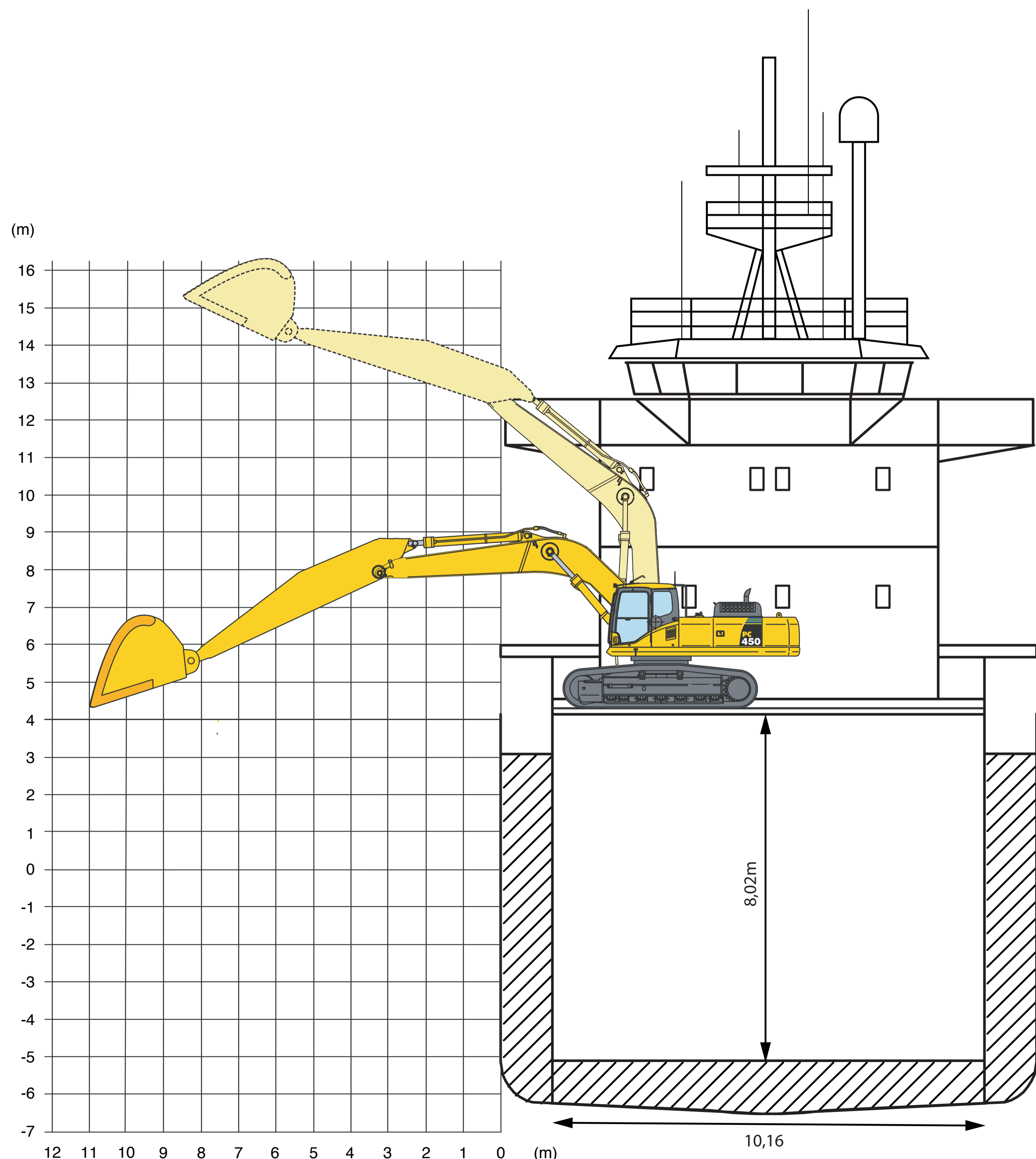
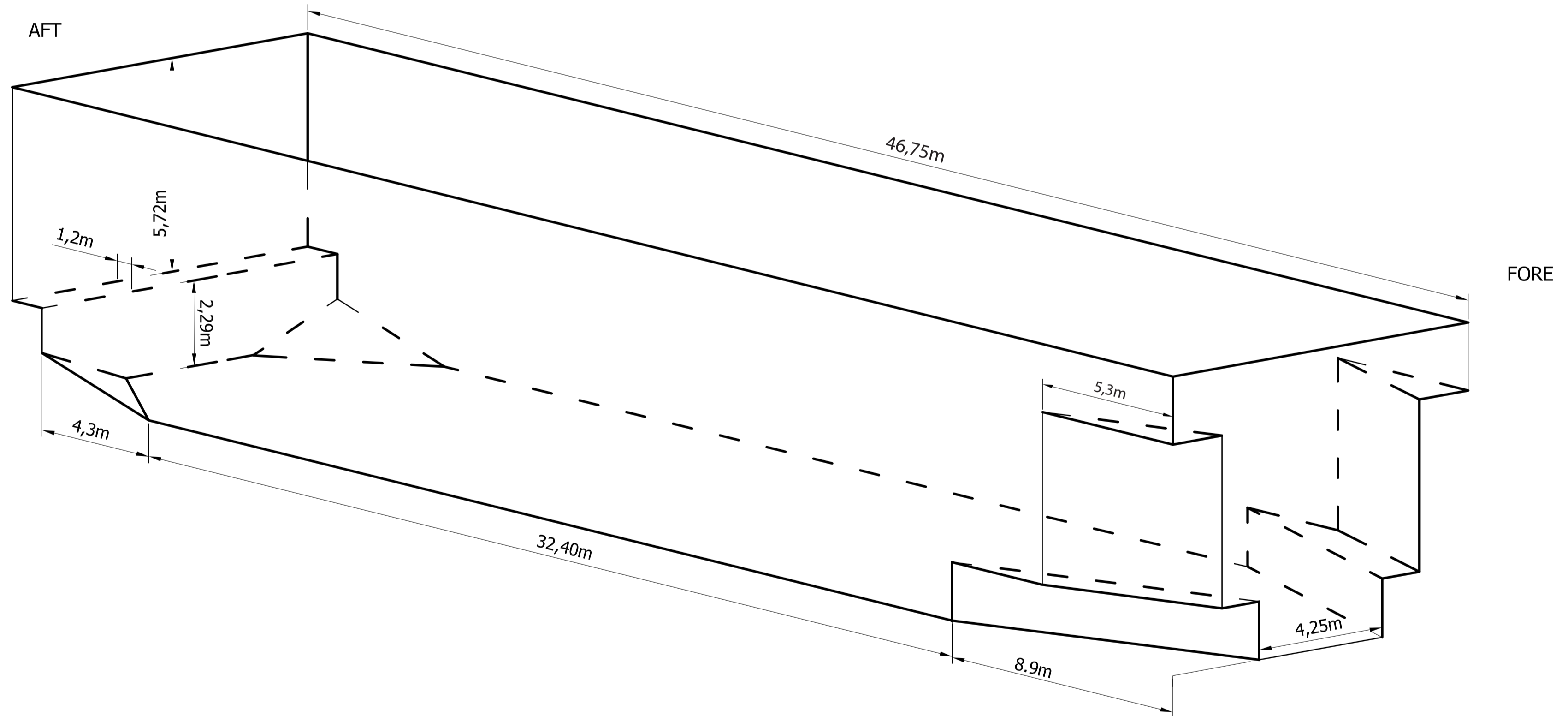


DECK "B" UPPER DECK



DECK "A" LOWER DECK

Particulars	
Length O.A	74,65 m
Breadth	12,70 m
BT	2030
NT	911
Hold	3.717 m ³
Hold	131.300 cbf
Summer draft	6,10 m
Winter draft	5,97 m
Steel Tank Top	12 t/m ²
Ballast draft min	3,40 m
Ballast draft max	4,20 m
Air draft loaded	26,00 m
Air draft Ballast	28,00 m
Ballast min waterline to hatch coaming	6,32 m
Loaded waterline to hatch coaming	3,47 m



Draft at 80 t. Oil, 30 t. Water		
DRAFT	DWTC	TCP t/cm
3,40	766	7,41
3,60	915	7,49
3,80	1066	7,56
4,00	1219	7,68
4,20	1371	7,72
4,40	1526	7,87
4,60	1683	7,96
4,80	1843	8,04
5,00	2003	8,11
5,20	2165	8,17
5,40	2327	8,23
5,60	2492	8,28
5,80	2657	8,32
6,00	2823	8,33
6,10	2907	8,35

Capacity of the holds
Depend on the bulkheads position

Bulkheads thickness 30 cm

1,1		4,22m		8,98m		9m		8,95m		3,6m		10,8m		
70	305			736			736		736		286		848	m ³
2472	10798			25960			25960		25960		10188		29962	ft ³