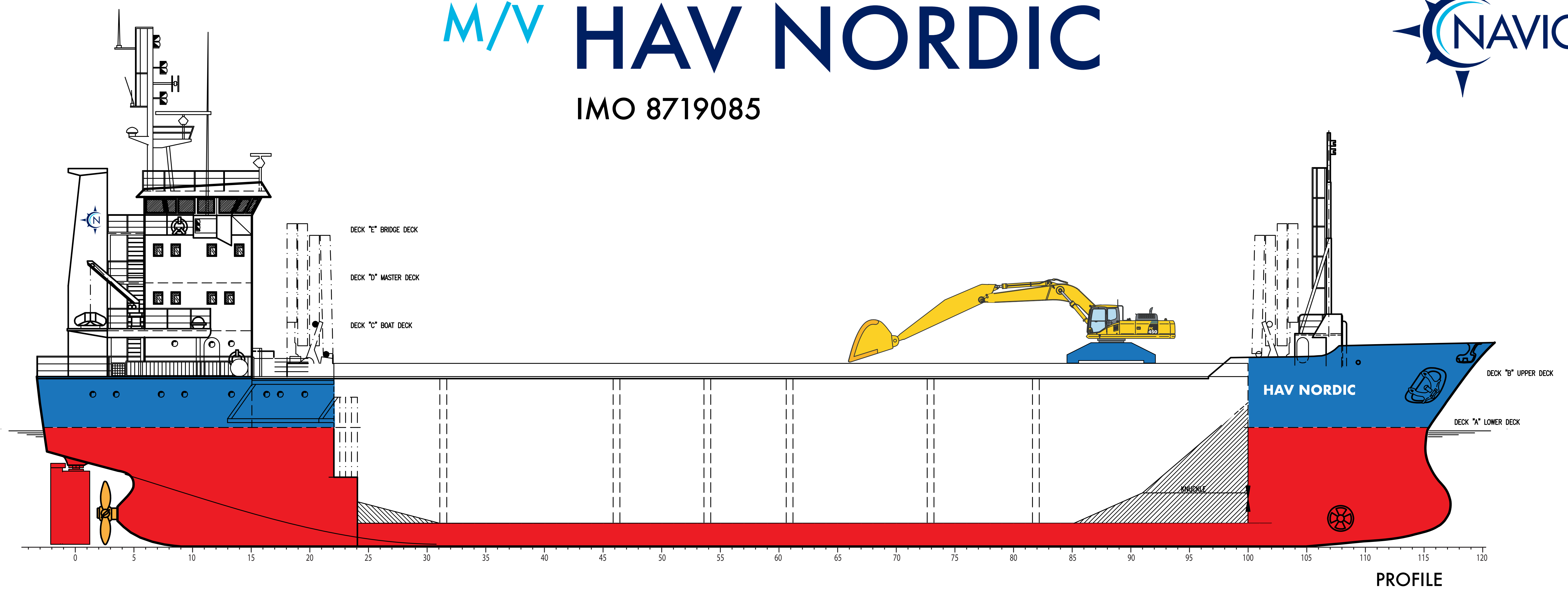
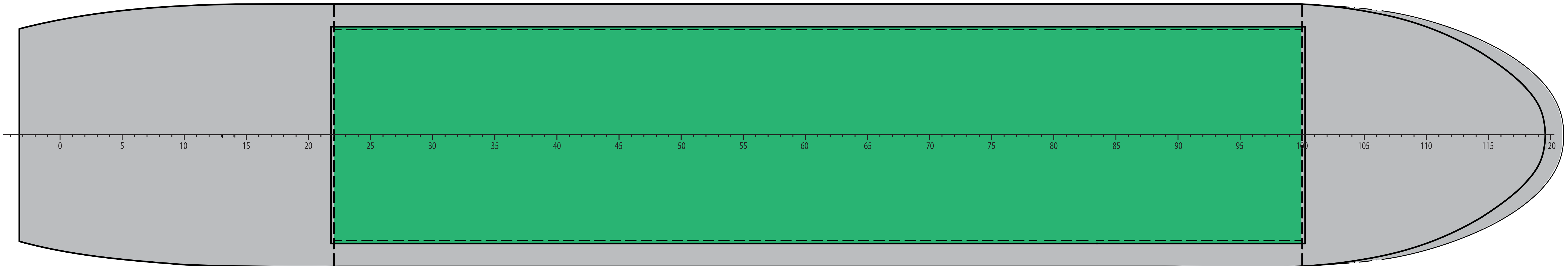


M/V HAV NORDIC

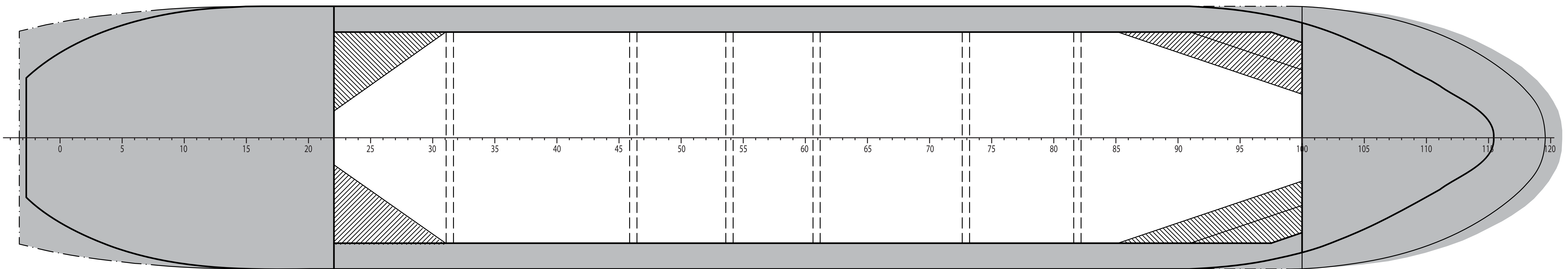
IMO 8719085



PROFILE

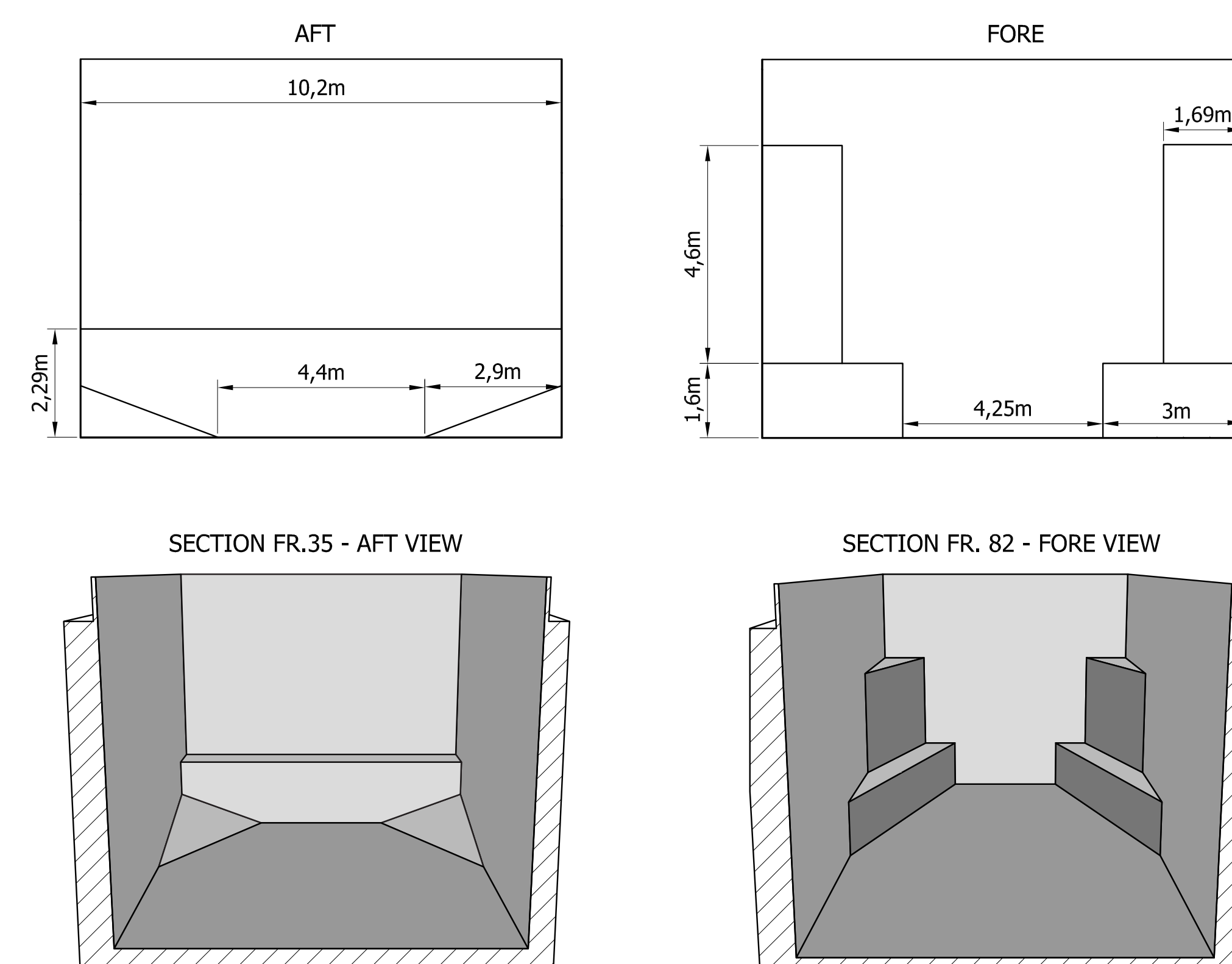
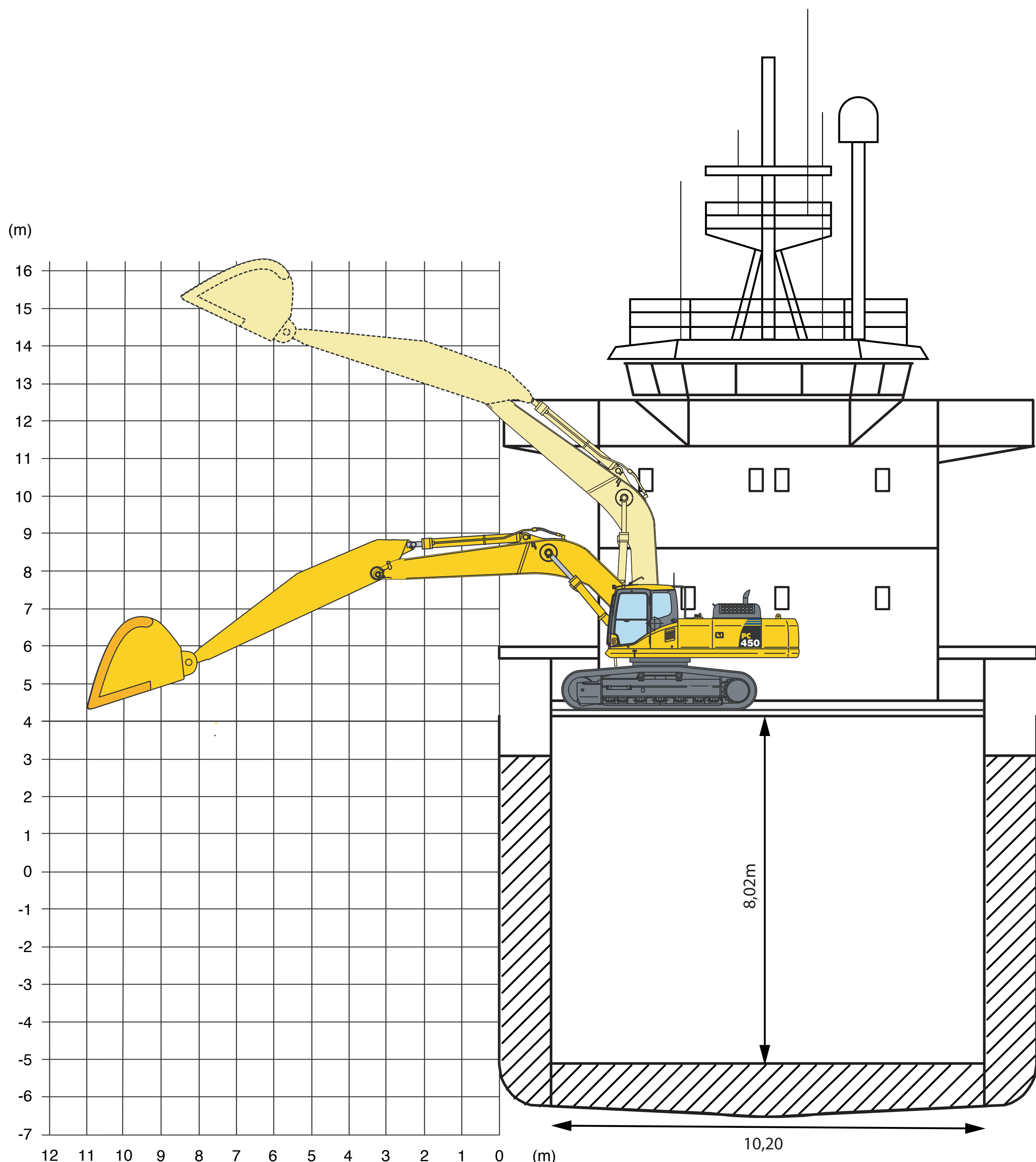
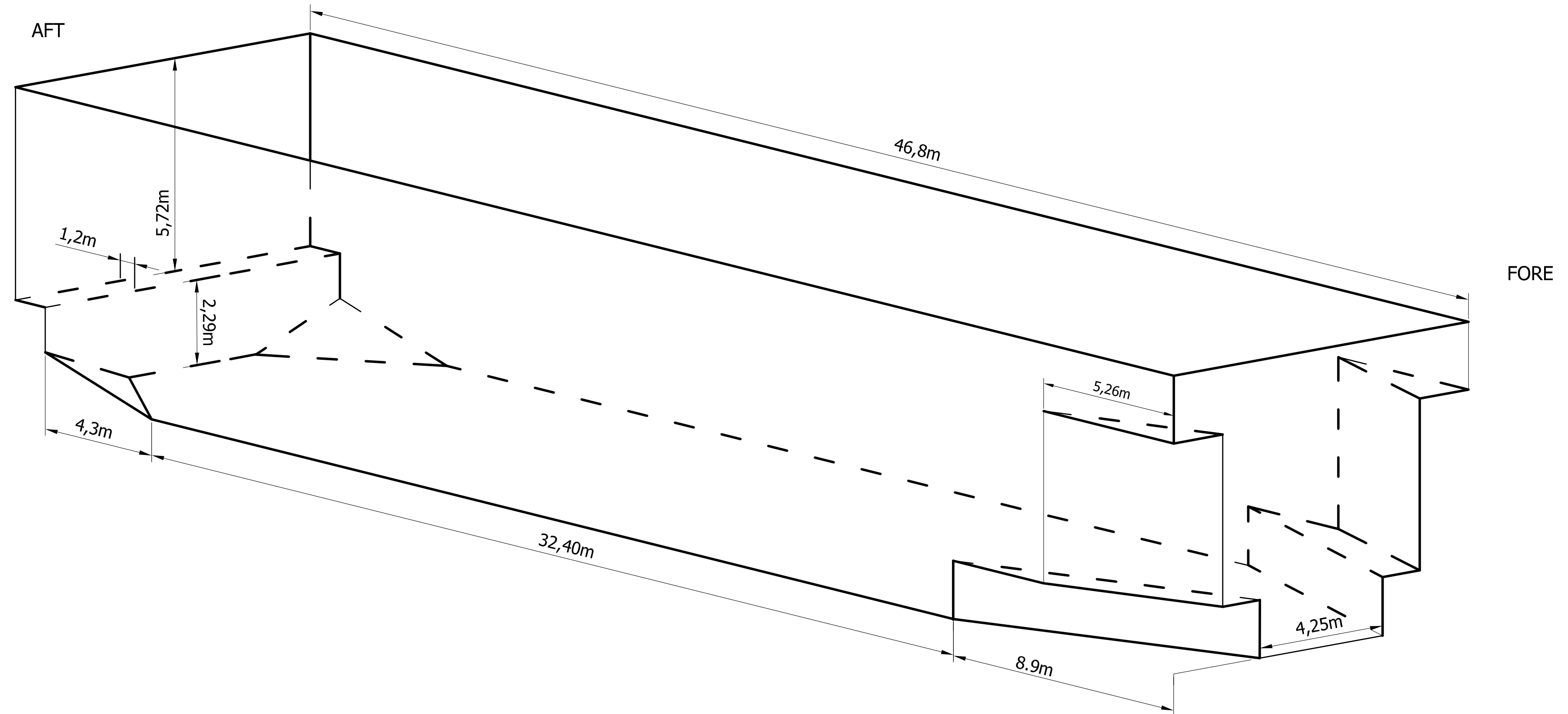


DECK "B" UPPER DECK



DECK "A" LOWER DECK

Particulars	
Length O.A	74,65 m
Breadth	12,70 m
BT	2030
NT	888
Hold	3746
Hold	132.271 cbf
Summer draft	6,02 m
Winter draft	5,89 m
Steel Tank Top	12 t/m ²
Ballast draft min	3,40 m
Ballast draft max	4,20 m
Air draft loaded	26,00 m
Air draft Ballast	28,00 m
Ballast min waterline to hatch coaming	6,32 m
Loaded waterline to hatch coaming	3,60 m



Draft at 80 t. Oil, 30 t. Water		
DRAFT	DWTC	TCP t/cm
3,40	762	7,45
3,60	911	7,53
3,80	1063	7,61
4,00	1215	7,69
4,20	1371	7,77
4,40	1526	7,86
4,60	1684	7,92
4,80	1843	8,01
5,00	2003	8,09
5,20	2166	8,15
5,40	2330	8,21
5,60	2494	8,27
5,80	2661	8,33
6,00	2827	8,39
6,02	2844	8,39

Bulkheads thickness 30 cm
Capacity of the holds
Depend on the bulkheads position

	1,2m	4,26m	8,88m	4,65m	4,23m	7,20m	5,39m	10,82m	
	70	338	736	390	345	586	440	841	m ³
	2472	11936	25960	13771	12182	20691	15536	29700	ff