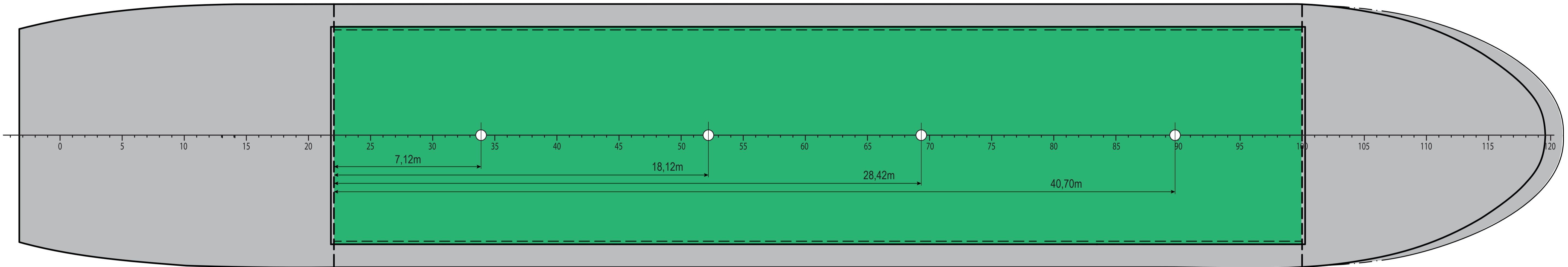
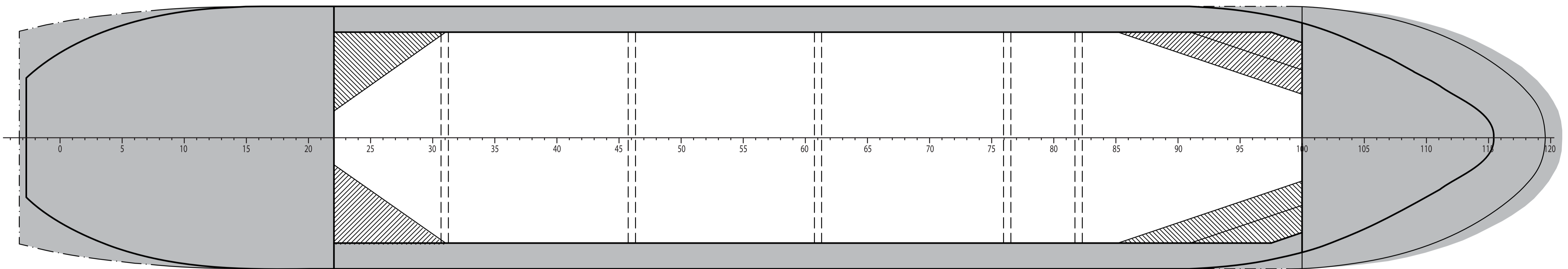


PROFILE

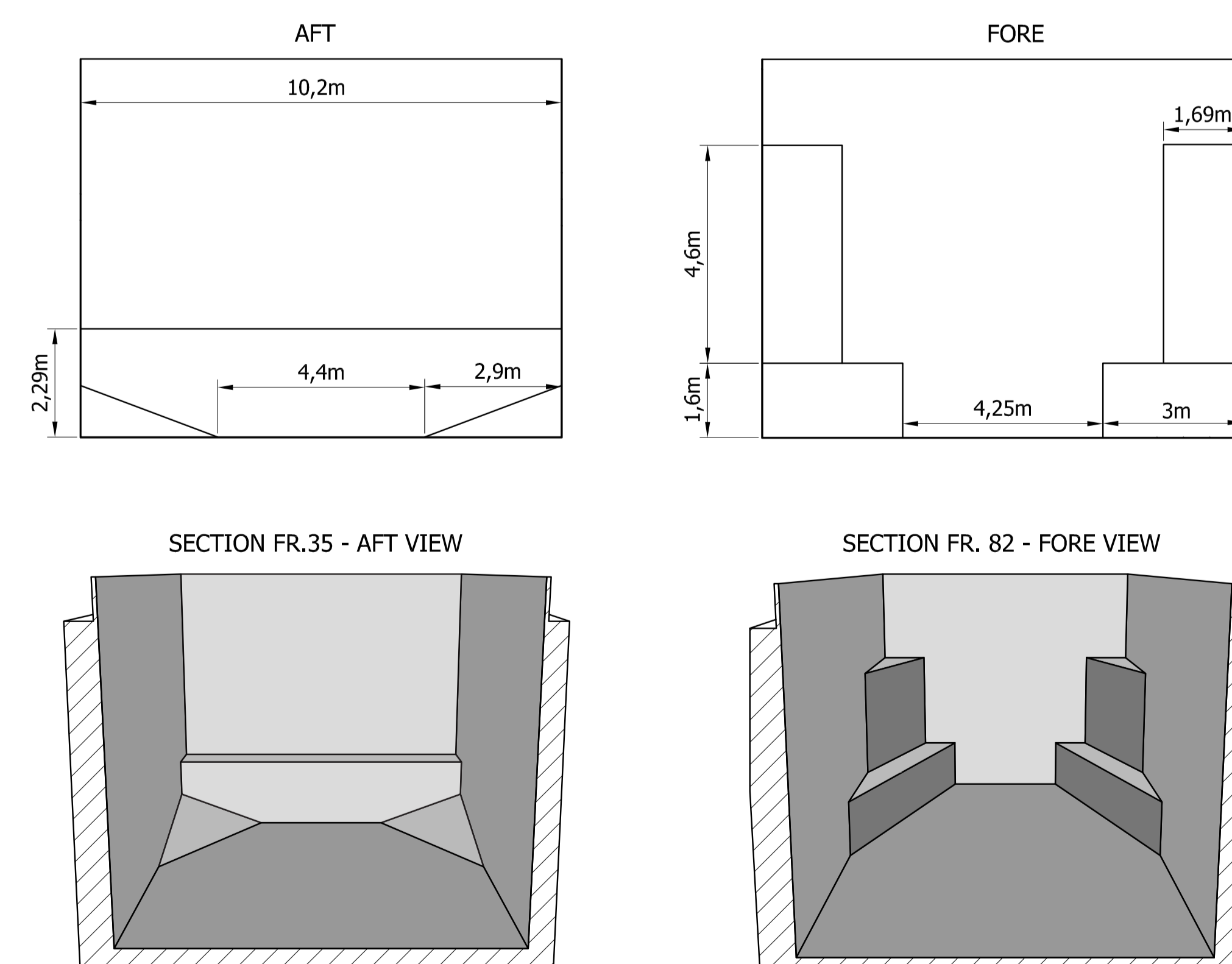
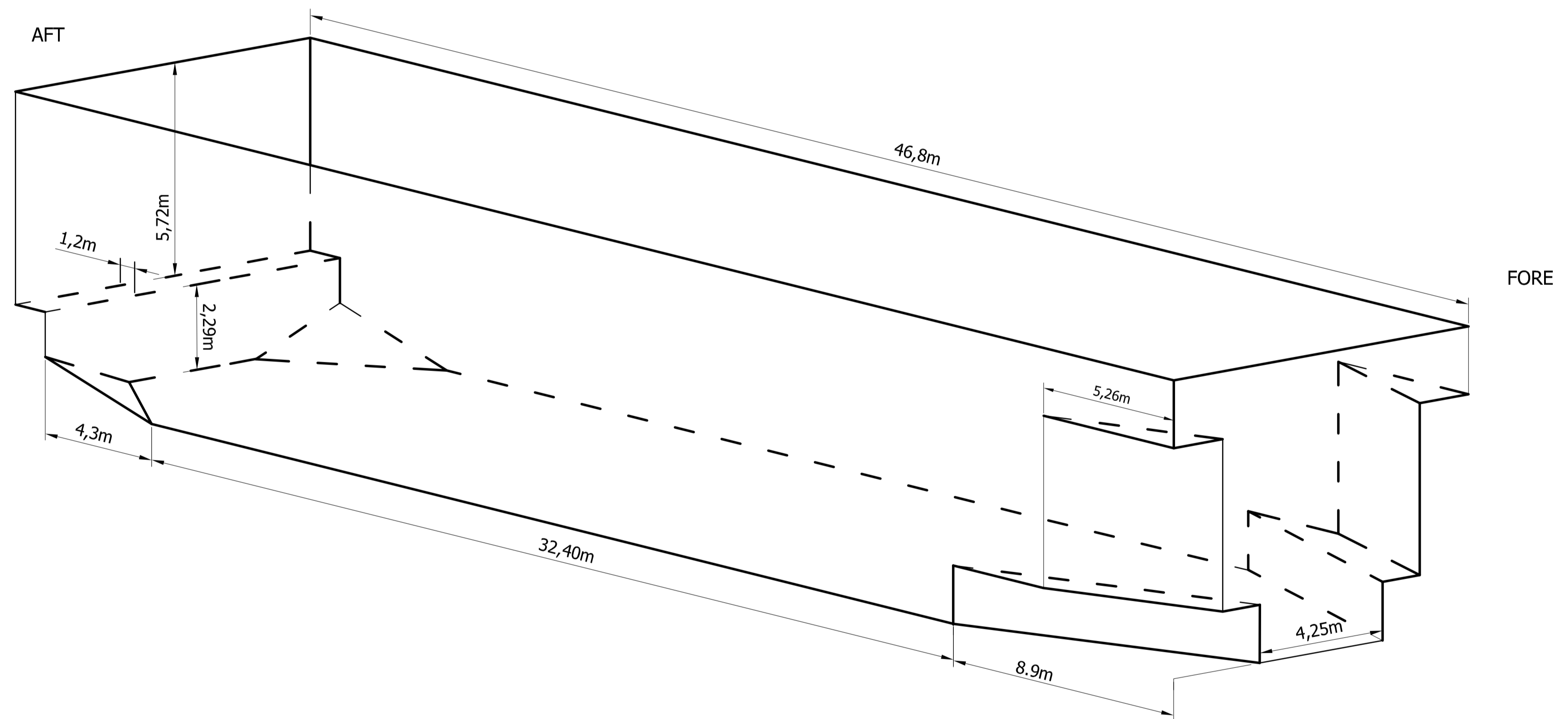


DECK "B" UPPER DECK

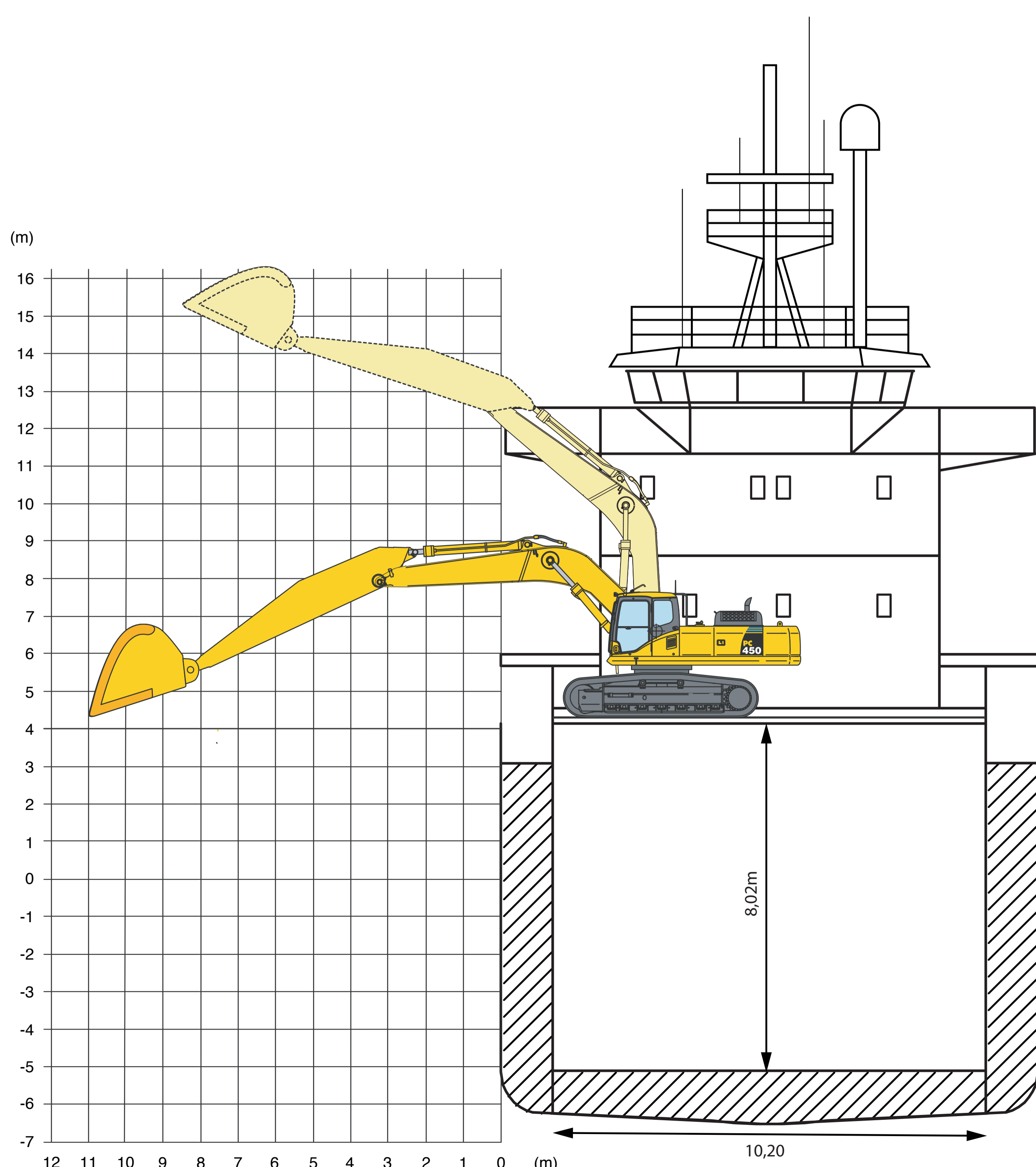


DECK "A" LOWER DECK

Particulars	
Length O.A	74,65 m
Breadth	12,70 m
BT	2026
NT	885
Hold	3755
Hold	132.607 cbf
Cement holes	Ø79 cm
Summer draft	6,10 m
Winter draft	6,10 m
Steel Tank Top	12 t/m <sup>2</sup>
Ballast draft min	3,40 m
Ballast draft max	4,20 m
Air draft loaded	26,00 m
Air draft Ballast	28,00 m
Ballast min waterline to hatch coaming	6,32 m
Loaded waterline to hatch coaming	3,47 m



Draft at 80 ton oil and 30 ton water		
DRAFT	DWTC	t/cm
3,40	757	7,42
3,60	906	7,50
3,80	1057	7,58
4,00	1210	7,66
4,20	1364	7,74
4,40	1519	7,82
4,60	1676	7,89
4,80	1835	7,97
5,00	1995	8,04
5,20	2157	8,12
5,40	2320	8,18
5,60	2484	8,24
5,80	2649	8,29
6,00	2815	8,33
6,10	2899	8,36



**Capacity of the holds**  
Depend on the bulkheads position

Bulkheads thickness 30 cm		Bulkheads thickness 30 cm		Bulkheads thickness 30 cm		Bulkheads thickness 30 cm		Bulkheads thickness 30 cm		
1,1	4,1m	8,7m	8,7m	8,7m	3,6m	10,8m				
70	338	737	737	737	295	841				m <sup>3</sup>
2472	11936	26027	26027	26027	10418	29700				ft <sup>3</sup>
Frame no.	22 24	31	46	61	76	82				100